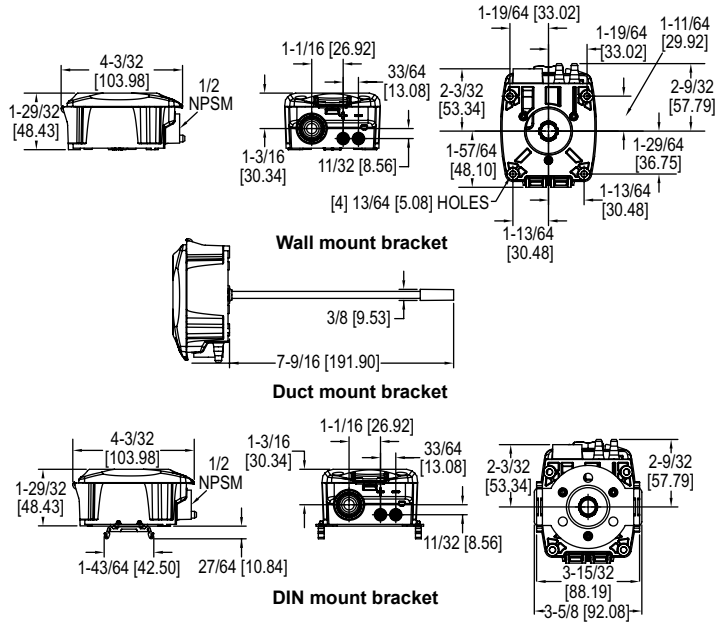
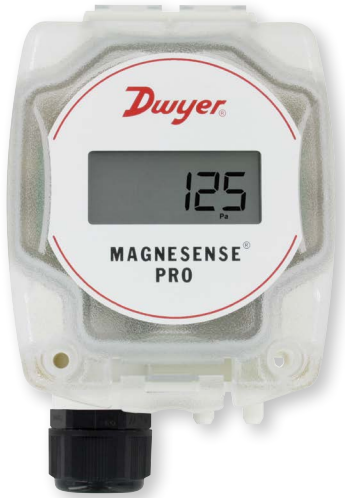


MAGNESENSE® DIFFERENTIAL PRESSURE TRANSMITTER

Monitors Differential Pressure, Air Velocity, and Volumetric Flow



The **Series MSX Pro Magnesense® Differential Pressure Transmitter** is the professional differential pressure transmitter meeting stringent industry standards with innovative global product design. The device has exceptional stability for use in critical building performance applications with the popular versatility of our original Series MS2 Magnesense® II transmitter. The MSX Pro simplifies the ordering process to deliver the desired configuration, which reduces product setup time. Pressure ranges of Pa, mm w.c., and in w.c. are available per device. All pressure ranges can be configured in unidirectional or bidirectional modes providing a total of 32 ranges. The MSX Pro transmitter can provide a linear pressure output or a linear velocity output with the square root extraction from the transmitter. Additional parameters have been included to expand the square root capability to calculate flow. Dual voltage and milliamp output signals can be used to provide control and equipment output signal verification.

FEATURES/BENEFITS

- Flip-lid provides easy access to the unit's wiring
- Electronics shielded from installation eliminating accidental damage to the unit
- Tamper resistant cover for added security and protection
- Includes liquid tight cable gland fitting for when there are liquids or moisture near the cable egress point
- Includes a toolless terminal block that allows for quick and easy wiring, reducing installation time
- UL94 V-0 and plenum ratings that add safety to a variety of applications needing to meet municipal and building code standards

APPLICATIONS

- High performance building applications for critical environments
- Filter monitoring in air handler units
- Building pressure in pharmaceutical/semiconductor clean rooms
- Duct static pressure in commercial and specialized buildings
- Air velocity/flow in VAV systems

MODEL CHART							
Example	MSXP	-W	1	3	-IN	-LCD	MSXP-W13-IN-LCD
Series	MSXP						Magnesense® differential pressure transmitter
Mounting		W U N					Wall mount Universal (wall or duct) mount DIN rail mount
Direction			1 2				Unidirectional Bidirectional
Range				0 1 2 3			.5 in w.c., 125 Pa, 12.5 mm w.c. 1 in w.c., 250 Pa, 25 mm w.c. 5 in w.c., 1250 Pa, 125 mm w.c. 28 in w.c., 7000 Pa, 700 mm w.c.
Pressure Unit					IN PA MM		Inches water column Pascal Millimeters water column
Options						A481 FC FP LCD NIST STX WO	Installer kit, includes 2 plastic static pressure tips and 7 ft (2.1m) of PVC tubing Factory calibration certificate Filtered pickup with barb Liquid crystal display NIST traceable calibration certificate Two (2) plastic static pressure tips LCD cover without LCD display

SPECIFICATIONS	
Service: Air and non-combustible, compatible gases.	Loop Resistance: Current output: 0-1250 Ω max; Voltage output: min. load resistance 1 kΩ.
Wetted Materials: Consult factory.	Current Consumption: 21 mA max continuous.
Accuracy: ±.5% FSO for all ranges except unidirectional .5 in. @ ±1% FSO.	Electrical Connections: 4-wire removable European style terminal block for 16 to 26 AWG.
Stability: ±1% FSO/year.	Electrical Entry: 1/2" NPS thread. Cable gland included.
Temperature Limits: -4 to 158°F (-20 to 70°C).	Display (optional): 4 digit LCD.
Pressure Limits: Ranges 0 and 1: 3.6 psi max operation, 6 psi burst; Ranges 2 and 3: 6 psi max operation, 6 psi burst.	Process Connections: 1/8", 3/16", 1/4", 5 mm, and 6 mm ID flexible tubing.
Power Requirements: 10-36 VDC (2-wire), 17-36 VDC or isolated 21.6-33 VAC (3-wire).	Enclosure Rating: NEMA 4X (IP66), UL 2043 (Plenum), UL94 V-0.
Output Signals: 4-20 mA (2-wire); 0-10 V or 0-5 V selectable (3-wire).	Mounting Orientation: Pressure sensor measurement unaffected by orientation.
Response Time: Instantaneous (default) or 3 s (selectable).	Weight: 8.0 oz (230 g).
Zero and Span Adjustments: Digital push-button.	Agency Approvals: CE.

OPTIONS				
Range	in w.c.	Pa low	Pa high	mm w.c.
Range 0	0.05	15	60	1.25
	0.1	25	75	2.5
	0.25	40	100	5
	0.5*	50	125*	12*
Range 1	0.1	25	100	2.5
	0.25	40	150	5
	0.5	50	160	10
	1*	60	250*	25*
Range 2	1	250	600	25
	2	300	750	50
	3	400	1000	100
	5*	500	1250*	125*
Range 3	10	1000	3000	250
	15	1500	4000	350
	25	2000	5000	500
	28*	2500	7000*	700*

*Indicated values are the positive full scale output values per range.

ACCESSORIES	
Model	Description
A-480	Plastic static pressure tip
A-481	Installer kit, includes 2 plastic static pressure tips and 7 ft (2.1 m) of PVC tubing
A-MSXP-LCD	Replacement display for the Series MSX Pro