

SERIES CDTV | CARBON DIOXIDE/VOLATILE ORGANIC COMPOUND TRANSMITTER

FEATURES/BENEFITS

- Combination VOC and CO₂ outputs reduce labor and material costs
- Single beam dual wavelength NDIR CO₂ sensor allows for use in spaces that may be occupied 24 hours a day
- VOC output is correlated to be equivalent to CO₂ measurements
- Ventilate using ASHRE’s occupancy-based VRP Algorithm



APPLICATIONS

- HVAC applications in hospitals, schools, and commercial buildings
- Demand control ventilation
- Odor control
- Waiting rooms or other spaces that may be occupied 24 hours a day

DESCRIPTION

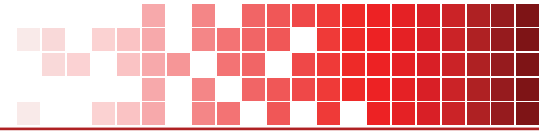
The **SERIES CDTV** Carbon Dioxide / Volatile Organic Compound (VOC) Transmitter reduces energy cost in buildings by lowering the amount of conditioned air based on the occupancy of the space. By detecting both CO₂ and VOC, the transmitter can also detect fumes that may need to be exhausted during lower occupancy periods. Combining both measurements in one transmitter reduces both labor and material costs by only having to install one CDTV-VOC unit, instead of separate CO₂ and VOC transmitters.



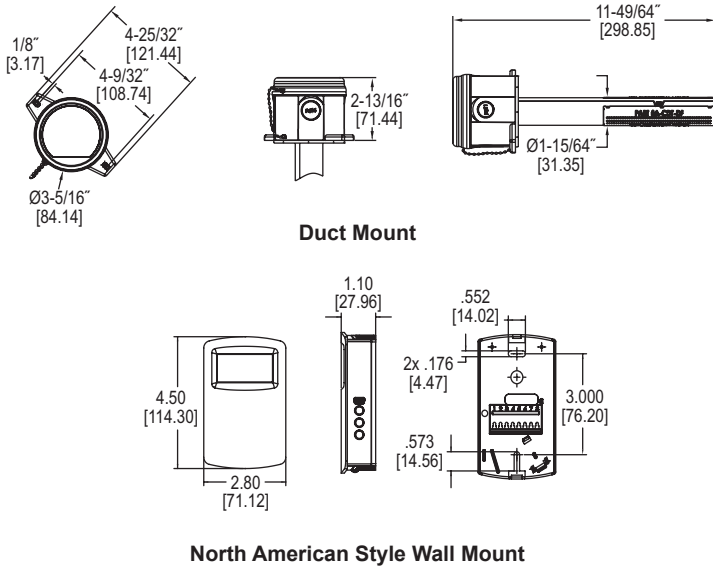
SPECIFICATIONS

Range	CO ₂ : 0 to 2000 or 0 to 5000 ppm (depending on model); VOC: 0 to 2000 ppm CO ₂ equivalent.
Accuracy	CO ₂ : ±40 ppm +3% of reading.
Temperature Dependence	±8 ppm / °C at 1100 ppm.
Non-Linearity	CO ₂ : 16 ppm.
Pressure Dependence	CO ₂ : 0.13% of reading per mm of Hg.
Response Time	CO ₂ : 2 minutes for 99% step change; VOC: 5 minutes.
Temperature Limits	32 to 122°F (0 to 50°C).
Power Requirements	16 to 35 VDC / 19 to 28 VAC.
Power Consumption	Average: 2 watts; Peak: 3.75 watts.
Sensor	CO ₂ : Single-beam, dual-wavelength NDIR; VOC: MEMS metal oxide semiconductor.
Output	Current: 0 to 20 mA, 4 to 20 mA, 0 to 10 mA, or 2 to 10 mA (depending on selection jumper, max 500 Ω); Voltage: 0 to 10 VDC, 2 to 10 VDC, 0 to 5 VDC, or 1 to 5 VDC (depending on selection jumper, min 500 Ω); Relay: SPST NO 2A @ 30 VDC.
Weight	5.6 oz (158.8 g).
Enclosure Rating	Duct mount: NEMA 4X (IP66) for housing only; Wall mount: IP20.
Agency Approvals	CE.

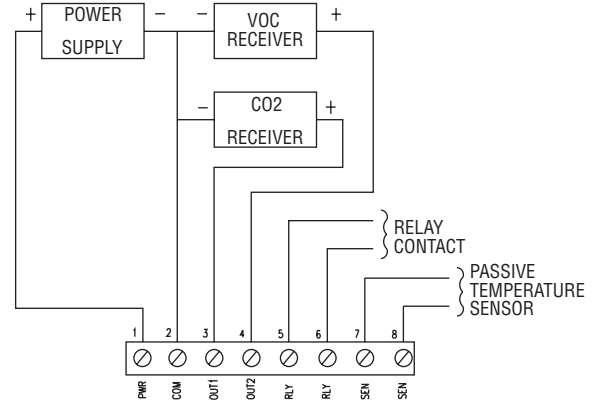




DIMENSIONS



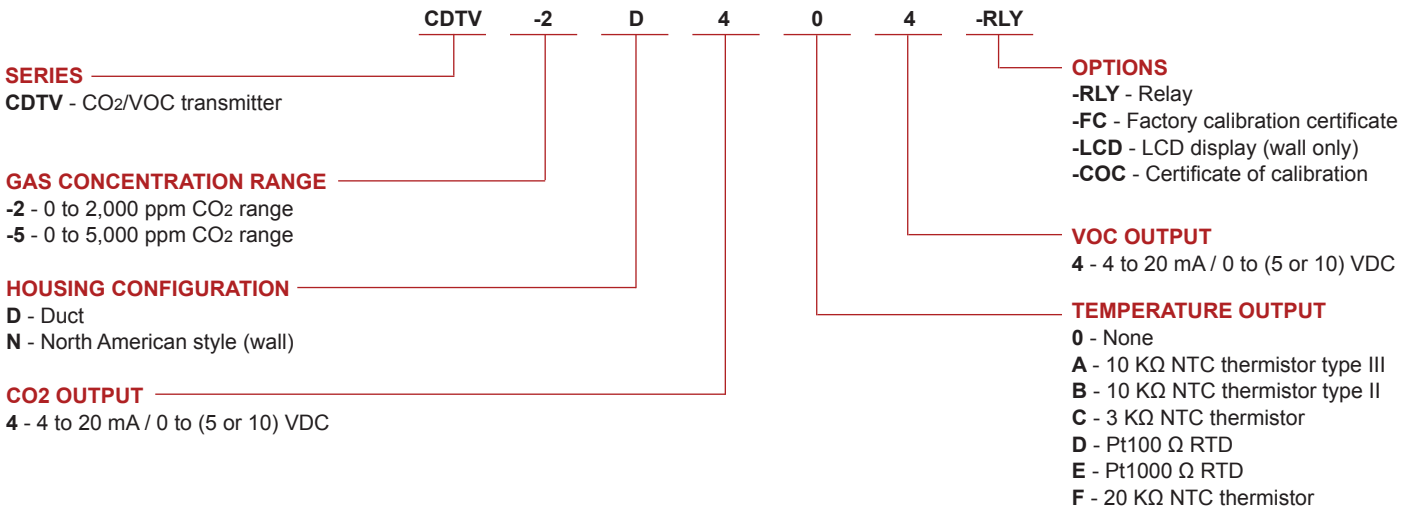
WIRING DIAGRAM



Active Output Wiring Diagram

HOW TO ORDER

Use the **bold** characters from the chart below to construct a product code.



Important Notice: Dwyer Instruments, Inc. reserves the right to make changes to or discontinue any product or service identified in this publication without notice. Dwyer advises its customers to obtain the latest version of the relevant information to verify, before placing any orders, that the information being relied upon is current.

