

Dwyer

SERIES O-4

OUTSIDE AIR TEMPERATURE SENSORS

NEMA 4X, Removable Terminal Block



The **SERIES O-4** Outside Air Temperature Sensors are great for monitoring ambient air temperatures in outdoor applications. The temperature sensors are mounted in a NEMA 4X enclosure with integral mounting tabs.

FEATURES/BENEFITS

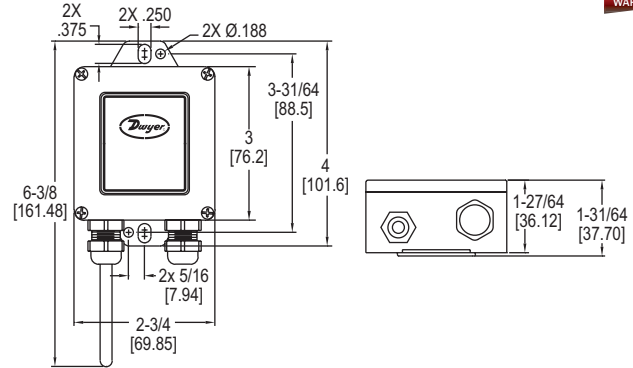
- NEMA 4X weatherproof housing
- Surface or suspension mount

APPLICATIONS

- Agricultural house ventilation
- HVAC and building automation

MODEL CHART

Model	Sensor Type	Model	Sensor Type
O-4A	10k Ω type III thermistor	O-4D	Pt100 Ω RTD
O-4B	10k Ω type II thermistor	O-4E	Pt1000 Ω RTD
O-4C	3k Ω thermistor	O-4F	20k Ω thermistor

**SPECIFICATIONS**

Accuracy: Thermistor temperature sensor: $\pm 0.22^{\circ}\text{C}$ @ 25°C ($\pm 0.4^{\circ}\text{F}$ @ 77°F); RTD temperature sensor: DIN class B: $\pm 0.3^{\circ}\text{C}$ @ 0°C ($\pm 0.54^{\circ}\text{F}$ @ 32°F).

Operating Temperature: -40 to 250°F .

Probe Diameter: 0.235" (5.97 mm).

Probe Length: 3.5".

Probe Material: 304 SS.

Mounting: Suspension or surface.

Enclosure Rating: NEMA 4X (IP66).

Weight: 3 oz (85 g).

Agency Approvals: Meets the technical requirements of EU Directive 2011/65/EU (RoHS II).